

WWW.INFIRE.PL



INSTALLATION CARD
BIO-FIREPLACE INSIDE C1200V3 *weight 30kg*

INFIRE KAROL LIPKA
UL. OBWODOWA 3
11-500 GAJEWO

Kontakt:
biuro@infire.pl
infire@wp.pl

THIS DOCUMENT IS PART OF THE DEVICE

INSTALLATION

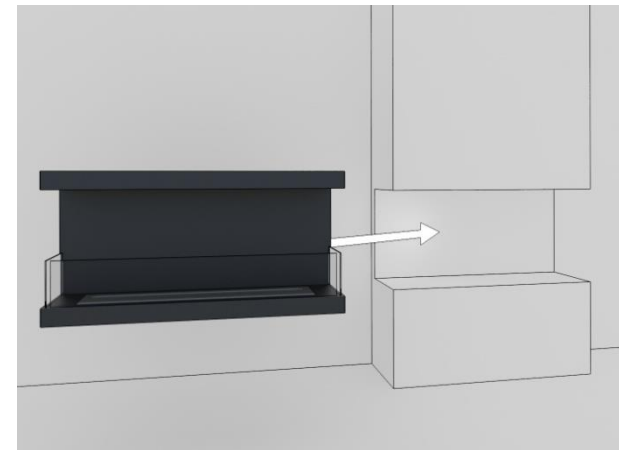
Please make sure that the set delivered to you contains all the elements, that is:

- fireplace (housing)
- hearth (steel rectangular tank)
- glass and steel mountings for glass panel
- steel long handle for adjusting and extinguishing a flame
- assembly pins
- rectangular extinguishing cover

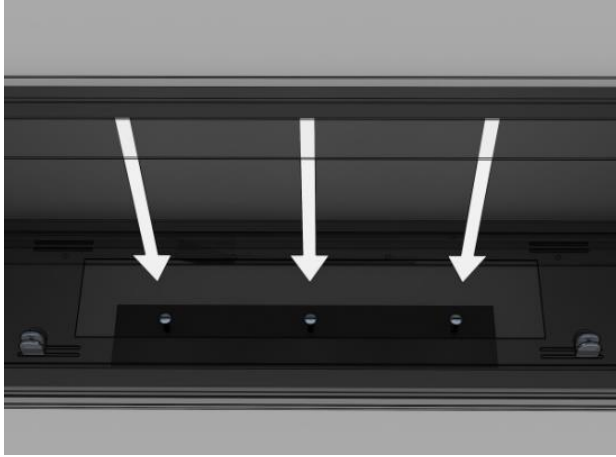
1. Choose the room in which you want to use the fireplace. The room in which the device will be used should have a minimum area of 20m².
2. When using the fireplace in a room, the window must be tilted.
3. The room in which the fireplace is used should always be ventilated, as it absorbs oxygen from the air. Do not install the fireplace in a place where it will be exposed to draught!
4. Place the rectangular steel tank (the hearth) in the rectangular opening inside the fireplace.
5. Insert the glass into the slot and tighten it through the long burner hole (the glass mountings are hidden in the bottom part of the housing).
6. The upper edges of the fireplace should be aligned with the edge of the recess.
7. Do not place any objects on the housing or inside the fireplace.
8. Do not place any flammable materials in a distance of at least 2 m from the device.
9. Convection air slots and rear ventilation should not be obstructed.

INSTALATION IN A RECESS (in wall):

1. There should be no heat-sensitive objects above the fireplace as the heat is transferred upwards. The wall in which the fireplace is to be installed should be made of brick or cardboard heat-resistant gypsum (red). It shall not be covered with wallpaper or laminates, nor shall it be of wood or other combustible materials.
2. Make sure that the wall/table/floor on which you place the unit can bear the weight of the device.
3. The upper edges of the fireplace should be aligned with the edge of the recess.



Fix it to the floor using the supplied screws through the holes in the bottom of the fireplace (after installing the pins).



Infire is not liable for damage resulting from incorrect installation of the fireplace or from installation of the fireplace on an unsuitable wall/floor.